

MS990CG

Neorest 600

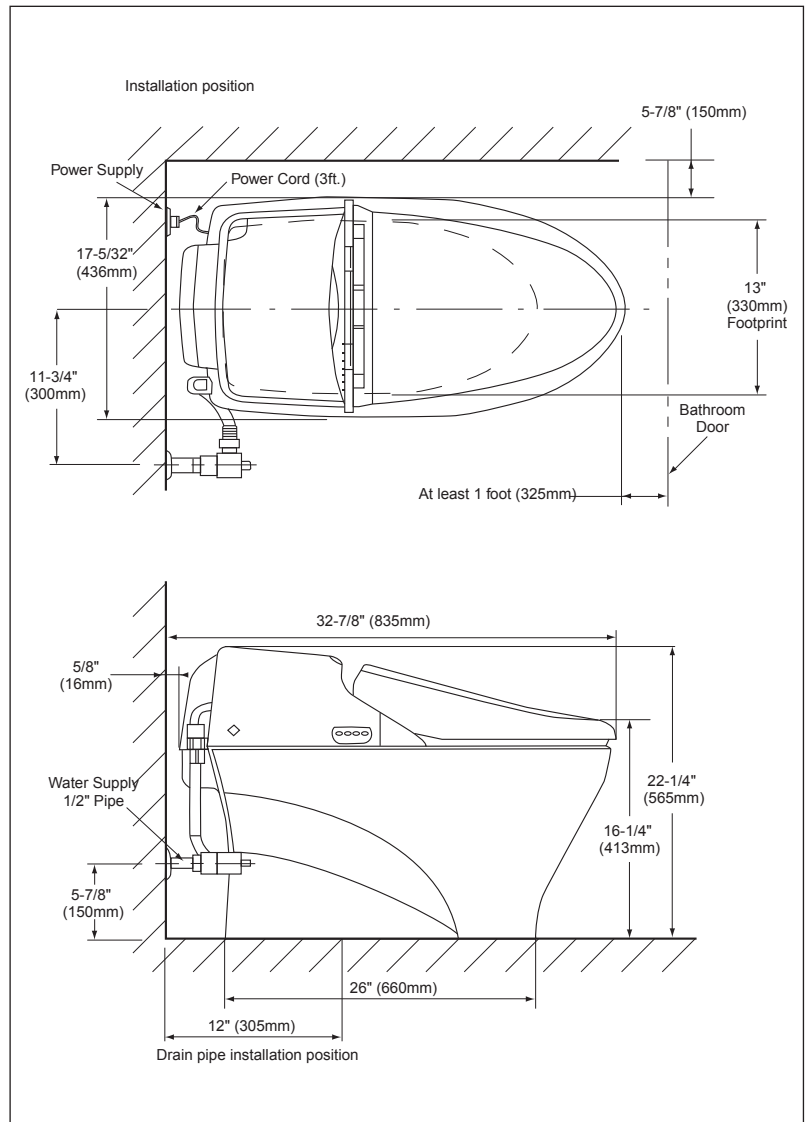
■ SPECIFICATIONS

Water Use:	1.6 Gpf/6.0 Lpf with alternate 1.2 Gpf/4.5 Lpf
Flush System:	Cyclone Siphon Jet
Min. Water Pressure:	20 psi
Water Surface:	11-3/8" x 7-7/8"
Trap Diameter:	2-1/8"
Rough In:	12" rough in
Trap Seal:	2-7/16"
Warranty:	Three Year Limited Warranty
Material:	Bowl: Vitreous china Seat and cover: Plastic
Shipping Weight:	MS990CG 120 lbs.
Shipping Dimensions:	MS990CG 40-1/4" x 23" x 31-1/8"
Colors: Standard	Cotton #01
Colors: Optional	Colonial White #11 Sedona Beige #12

Fixture dimensions and hydraulic performance meet or exceed ANSI/ASME standard A112.19.2M and CAN/CSA B 45 requirements.

Listing / Approvals: IAPMO/UPC, CSA, City of Los Angeles, State of Massachusetts, and others.

These dimensions and specifications are subject to change without notice.



Neorest 600 MS990CG

Power Rating	120V AC, 60 Hz.1277W
Power Cord	Maximum length: 3 ft
Water Feature	Adjustable Water Flow Rate Rear washing: from 9 to 14.5 oz/min. Soft washing: from 9 to 14.5 oz/min. Front washing: from 9.5 to 14.5 oz/min. Temperature of Washing Spray Minimum: 86° F/30° C Maximum: 104° F/40° C Safety Features: Temperature fuse, Bi-metal sensor (auto reset), and Float switch (prevent boil)
Drying Feature	Air Temperature: High: About 138°F/59°C Medium: About 122°F/50°C Low: About 104°F/40°C Capacity of Air: 10.5 ft³/min Safety Feature: Temperature Fuse

Seat Warming Feature	Surface Temperature: Minimum: 79° F/26° C Maximum: 97° F/36° C Seat Heater Capacity: 50W Safety Feature: Thermal fuse
Deodorizing Feature	Method: O ₂ Deodorizer Air Volume: 5.5 ft³/min

Water Supply Pressure	Minimum: 20 psi Maximum: 80 psi
Ambient Temperature Range	33°F/1°C to 104°F/63°C
Size	17" x 32.2" x 22.2"
Weight	Net:108 lbs.

Listings/Approval



Colors: Standard #01 Cotton
Optional #11 Colonial White
#12 Sedona Beige

Specifications may change without notice.

